



i3TOUCH X-ONE

Interactive performance.

The most performative high-end i3TOUCH display yet. The i3TOUCH X-ONE works faster than any interactive display you've seen before.

Everything you need is already on board the i3TOUCH X-ONE with i3STUDIO. i3STUDIO is the free out-of-the-box software suite that lets you share your content, give a killer presentation, whiteboard on your infinite canvas or annotate directly in your browser and presentation. We thought of everything so you don't have to.

Go straight to the stuff that matters most. Android 11 is optimized for how you use your i3TOUCH X-ONE, which gives you powerful device controls and easier and faster ways to get the job done.

Powered by
Android 11

65"

75"

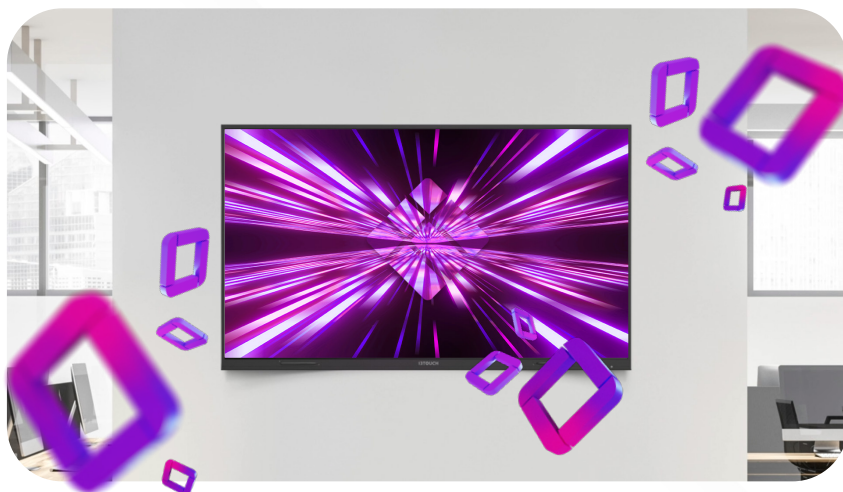
86"

i3TOUCH X-ONE

Discover the features

Work at the speed of thought.

The i3TOUCH X-ONE has the power and speed to keep you going. Featuring Android 11 and 8GB of RAM optimized for how you use your i3TOUCH, you have powerful device controls, and easier and faster ways to present, navigate and so much more right at your fingertips.



Irresistible touch & image quality.

A natural touch and writing experience are our top priorities. Thanks to the optical bonding technology we are able to achieve a pen-to-paper feeling. Of course, we incorporated an eraser and writing side to the pen for convenient, intuitive writing. Enjoy more vibrant colors and sharper lines with an outstanding 4K resolution.

Plug into the possibilities.

Use the interactive display's speakers and camera by connecting your laptop to the screen with a USB-C cable. Just one cable for audio, video, power, and touch. Enjoy having access to all the tools connected to the display, such as the webcam or mic, straight from your laptop.

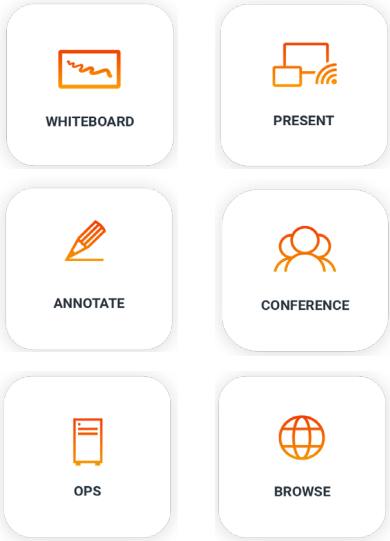




Free software included.

Our interactive displays are powered by i3STUDIO – our **free, pre-installed** software suite which includes: **whiteboard, annotate, wireless presenting, video conferencing.**

i3STUDIO gives you access to your favorite apps and internet browser with just **one touch** on the intuitive interface. With a state-of-the-art OTA (Over-The-Air) platform, you can be sure your device is always up to date with the latest firmware. All of this is included in i3STUDIO with **free updates, forever.**



Full stack for great performance

i3STUDIO is built on completely new and future-proof technical architecture with improved management capabilities including: notification and messaging system, integrated support, and OTA updates.



Go-to apps at your fingertips

The apps you rely on daily are available on i3STORE. Using the secure environment you can browse, install, update, and keep track of your apps on i3STUDIO. PowerPoint, Word, Zoom, digital signage, and more.



Free lifelong updates

Forever-free automatic updates. No subscription fees, hassle-free updates, and one seamless updating process - all Over-The-Air. You will always use the latest software version even if you bought your device years ago.



i3TOUCH X-ONE

Compatible products & Accessoires



i3RDM

Manage, maintain, and monitor your fleet of interactive displays from anywhere at any time.



i3CAIR

The i3CAIR Air Quality Sensor can monitor the air quality of your workspace or classroom and trigger alerts when rooms need to be ventilated.



i3CAMERA PRO

4K video conferencing camera with wide 120° angle, omnidirectional microphone and low light support.

i3TOUCH X-ONE

Product specs

Work faster



Take advantage of the advanced Octa-core Android engine because the more powerful and updated your processor, the faster your display can complete its tasks. By getting a more powerful processor, it can help you work faster.

Multi-function button



Define your favorite actions on a hardware button. You can set it to freeze the image, take a screenshot, switch to your preferred video input source and more.

i3STUDIO

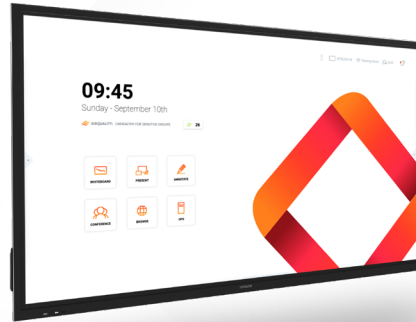


Our interactive displays are pre-installed with i3STUDIO. i3STUDIO delivers everything you need to accomplish your best lesson, pitch, presentation or brainstorming session. Leave the room dazzled.

Just one cable



Use the i3TOUCH display's speakers and camera by connecting your laptop to the screen with a USB-C cable. There are even two USB-C inputs. One for audio, video, power and touch, and one for audio, video and touch.



Room filling audio



The advanced audio system pumps out loud and full-bodied sound that is capable of filling a whole room. It handles lows, mids, and highs with competence, thanks to the integrated subwoofer. Just enjoy the premium audio during your presentation or videoconference.

Multitasking



Supports split-screen mode allowing you to use two apps at the same time on your i3TOUCH X-ONE.

Enhanced clarity



Optical Bonding provides many benefits including, enhanced clarity and viewability, ruggedization, improved heat dissipation and the most accurate touch experience.

Reduced eye fatigue



With DC Dimming mode, a blue light filter, and an anti-glare coating, the i3TOUCH X-ONE offers an best-in-class viewing experience that tremendously reduces eye fatigue. Certified by TÜV Rheinland.

DISPLAY PROPERTIES

65"

75"

86"

Model Name	i3TOUCH X-ONE 65	i3TOUCH X-ONE 75	i3TOUCH X-ONE 86
Product series	i3TOUCH X-ONE Series - Interactive Digital Whiteboard Displays		
Product ID	10010312	10010313	10010314

DISPLAY SPECIFICATIONS

Display technology	Liquid Crystal Display (LCD) with Direct-LED backlight		
Panel Type	IPS-ADS		
Display aspect ratio	16:9		
Display native resolution	3840 x 2160 pixels - 4K Ultra High Definition		
Brightness (typical)	400 cd/m ²		
Brightness (maximum)	450 cd/m ²		
Contrast ratio (typical)	1200:1		
Dynamic contrast ratio	4000:1		
Viewing angle	178° / 178°		
Colour depth	1.07 billion colors (10 bit)		
Response time (typ.)	8 ms		
Refresh rate	60 Hz (@ UHD)		
Pixel pitch	0.372 x 0.372 mm	0.429 x 0.429 mm	0.4935 x 0.4935 mm
Glass	2.7 mm Hardened Anti-Reflection Safety Glass (MOHS 7)		
Panel MTBF	50,000 hours		
Panel-Glass Bonding	Optical bonding (no air gap)		
Sensors	Ambient Light Sensor, Motion Sensor		
Supported Orientation	Landscape		

CONNECTIVITY

Digital audio-video input	2x HDMI 2.0, incl CEC, ARC
	1x DisplayPort 1.2
Digital audio-video-data ports	1x USB 3.0 Type C, incl PowerDelivery 65W charging, Alternate Mode DP, and USB data
	1x USB 3.0 Type C, incl Alternate Mode DP, and USB data
Digital audio-video output	1x HDMI 2.0
Digital audio output	1x S/PDIF Optical
USB Data ports	2x USB 3.0 Type A (switching via touch input)
	1x USB 3.0 Type A (Android)
Integrated OPS slot	OPS-PC slot (JAE TX24 connector) UHD
Control input	COM DE-9 (RS-232 standard)
Network connectivity	2x LAN: RJ-45 connector (1000 Mbit/sec)
	Wi-Fi 5 = 802.11ac
Analog audio output	1x Audio Jack 3.5 mm TRS

OPERATIONAL SPECIFICATIONS

Operating System	Android 11
Architecture	CPU : ARM A73 (4 cores) + A53 (4 cores)
	Clock speed : 2.8 GHz
	Cores : 8
	GPU : Mali G52
	RAM : 8 GB DDR4
	ROM : 32 GB
Interactive touch	Technology: V-Sense Infrared Touch recognition
	Resolution : 32768 x 32768
	Accuracy : 1 mm
	Response time : < 10 ms
	Connection : 3x USB-B 3.0
	Connection protocol: HID (Human Interface Device)
	Touch Points: 40 simultaneous multi-touch points
Maximum Daily Operating hours	18 hours / day
Loudspeakers	2x 20 Watt
Subwoofer	15 Watt

PHYSICAL PROPERTIES

Product Dimensions	1518 x 905 x 115 mm	1740 x 1030 x 115 mm	1986 x 1169 x 115 mm
VESA Mounting Pattern	600x400	800x400	800x400
Net Product Weight	40 kg	51 kg	65 kg
Packaging Dimensions	1640 x 221 x 1036 mm	1859 x 227 x 1153 mm	2119 x 227 x 1270 mm
Gross Packaged Weight	51 kg	67 kg	82 kg

WARRANTY

Standard Warranty	5 years
Extended Warranty	for education entities: 8 years (via registration) for corporate entities: 8 years (available for purchase)

ACCESSOIRES

Included	User Manual
	USB-C cable
	Remote Control
	HDMI Cable
	USB cable
	2x passive stylus
	Wall Mount

REGULATORY INFORMATION

Type Approval	CE, FCC
---------------	---------

SOFTWARE FEATURES

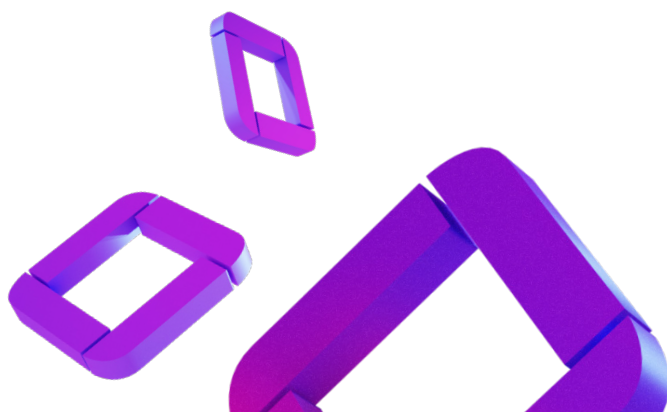
User Interface	i3STUDIO (Fully Customizable Launcher)
Whiteboarding Software	i3WHITEBOARD
Annotation Software	i3WHITEBOARD
Screencasting Software	i3ALLSYNC Wireless Presenting
Operating System	Android 11
Update Support	OTA (Over-the-Air)
Web Browser	Chromium
Support	Apple Airplay & Google Chromecast
Conferencing	Zoom, WebEx, or browser-based
App Store	i3STORE (ability to download and install apps)
Remote Support	Ability to offer remote assistance (requires i3RDM license)

ELECTRICAL PROPERTIES

Input Power	100 ~ 240 Volt – 50/60 Hz		
Power Consumption	133 Watt	150 Watt	168 Watt
Energy Saving Features	Auto-brightness adjustment by Ambient Light Sensor		

ENVIRONMENTAL CONDITIONS

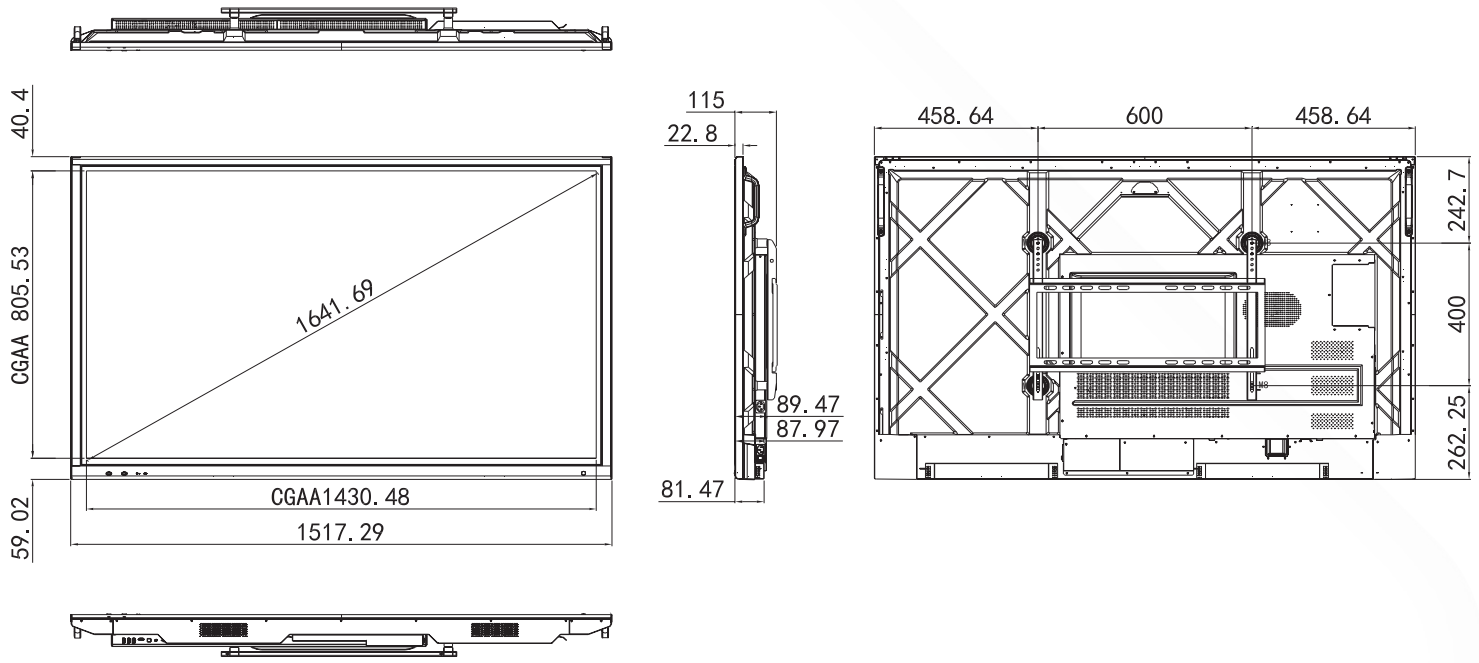
Operating Temperature	0° C to 40° C
Operating Humidity	10% to 90% RH non-condensing
Operating Maximum Altitude	5,000 meters
Storage Temperature	-20° C to 40° C
Storage Humidity	10% to 90% RH non-condensing



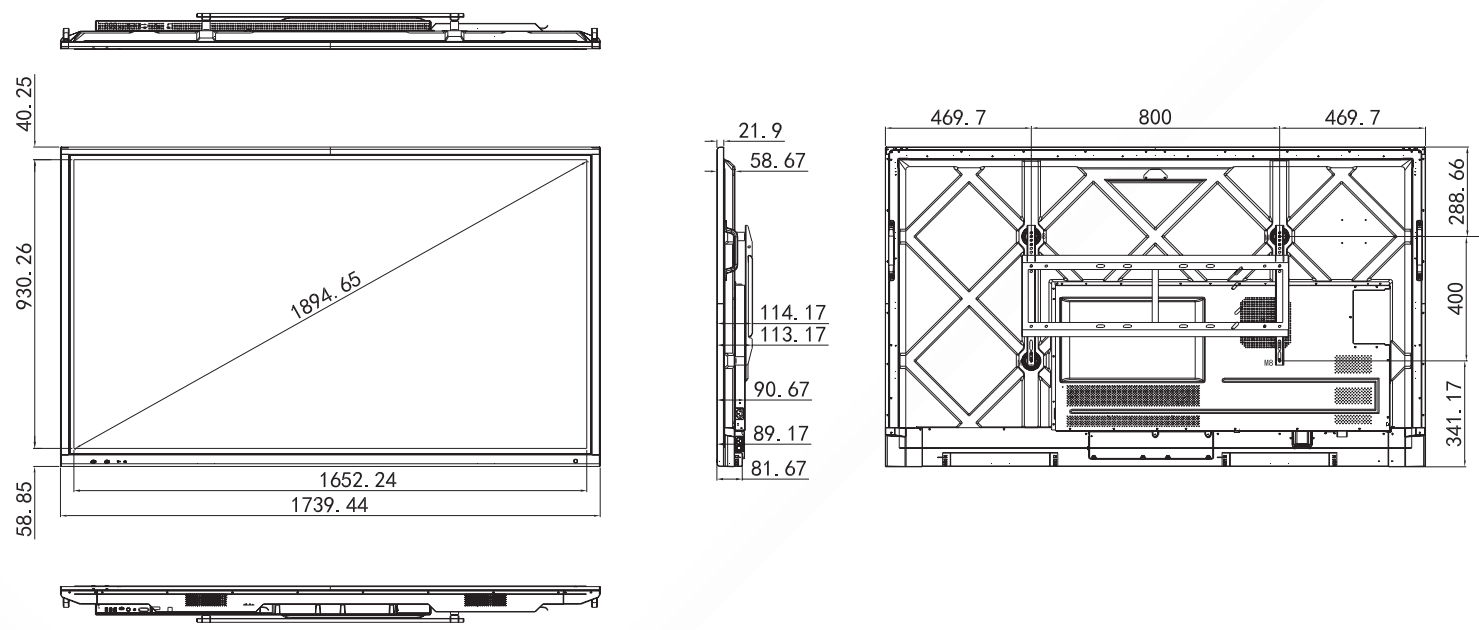
i3TOUCH X-ONE

Technical Drawings

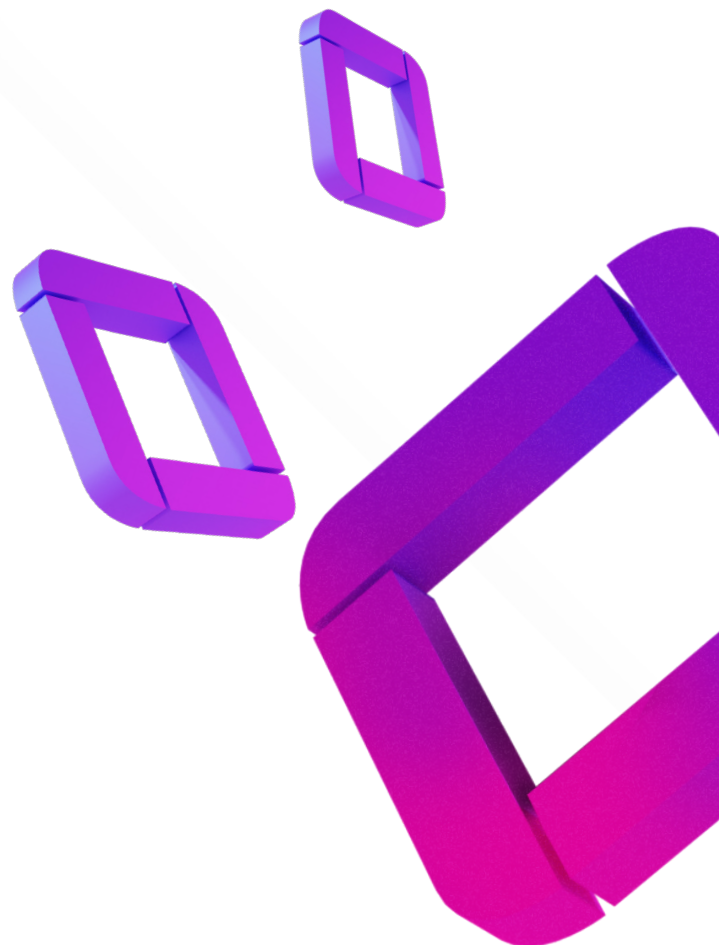
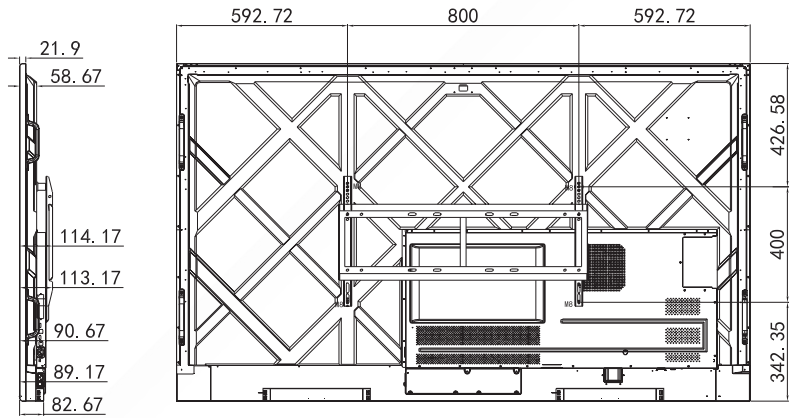
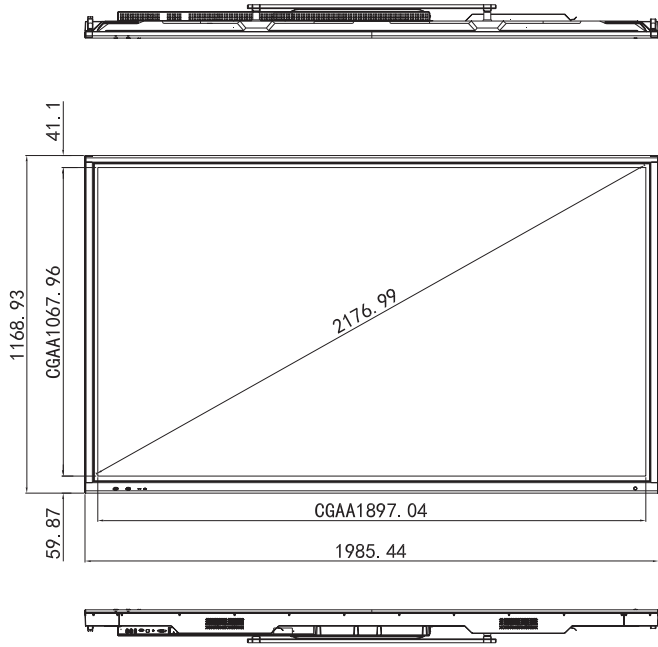
X-ONE 65"

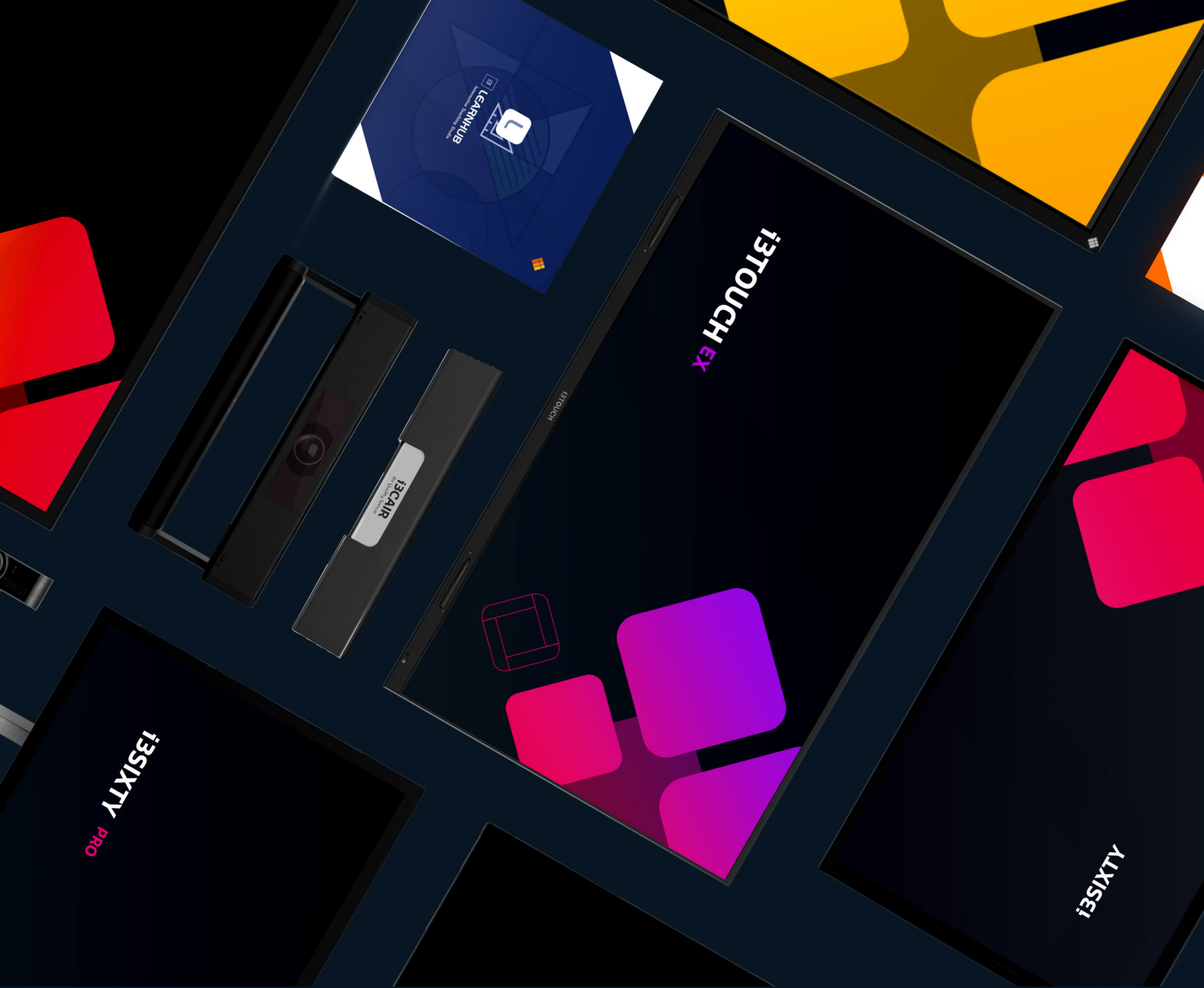


X-ONE 75"



X-ONE 86"





Like to know more?

i3-TECHNOLOGIES HQ
Kleine Schaluinweg 7
3290 Diest
Belgium

+32 56 31 34 15
info@i3-technologies.com



i3-TECHNOLOGIES