

# Lexmark MS410 Series Monochrome Laser Printer

Terrific Performance. Compact Design.

The Lexmark MS410 Series provides enterprise-worthy speed, reliability and convenience. Enhance productivity and save time, print your first page in as little as 6.5 seconds. *Need network capability? Get the MS410dn.*



MS410d/dn



Up to 38  
ppm



Network



Duplex



Eco-Mode



## More Productivity. Less Hassle.

Packed with features, our laser printers efficiently handle the requirements of your busy office. You'll produce more with less effort, thanks to high-capacity trays, extra high yield cartridges and our integrated systems design.

**Print Complex Documents Fast** - Effortlessly print documents containing lots of graphics and images with up to 256 MB of memory and a powerful 800 MHz dual-core processor.

**Reliable Performance** - Easily print up to 7,200 pages per month, plus enjoy fewer maintenance hassles, thanks to our state-of-the-art paper handling.

**Run Jobs without Interruption** - With an input capacity of up to 850 sheets and extra high yield toner cartridge options, you won't have to add paper or change cartridges as often.

**Get Work Done Quickly** - Experience less wait time with print speeds up to 38 pages per minute plus print your first page in as little as 6.5 seconds.

## Professional Results. No Training Required.

Look sharp from the start: the MS410 Series with its easy-to-use controls and impressive speed lets you power through any print job quickly.

**Fast Set Up** - Instructions are easy. You'll be up and running in minutes.

**High Resolution Graphics** - With up to true 1200x1200 dpi resolution, images and graphics stay crisp. Lexmark's Unison™ Toner ensures consistent quality, too.

**Convenient Control Panel** - Keep on top of your printing jobs with our two-line display that's easy to read.

**Innovative Toner that Optimises Performance** - Get greater system performance with Lexmark's Unison™ Toner, which delivers consistent image quality from first print to last.

## Get More Work Done. Effortlessly.

Quickly respond to changing business needs with our eco-friendly printers that streamline your workflow.

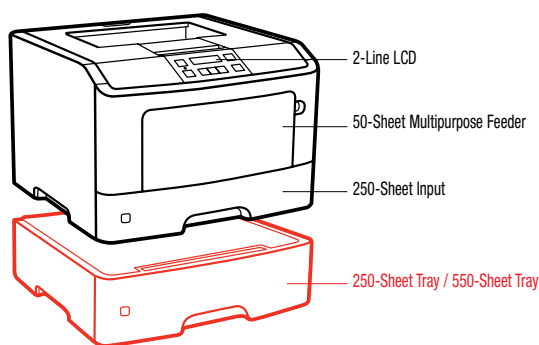
**Help Workers Do More** - Our system can print jobs from the network faster, so your teams stay productive. For standard Gigabit Ethernet networking, choose the MS410dn.

**Enjoy Enterprise-level Security** - Audit employee usage and protect sensitive data using standard network security protocols.

**Save Resources and the Planet** - An instant warm-up fuser, extra high yield toner option, plus Quiet, Hibernate and Eco modes minimise noise and save paper and energy.

**Print Anytime and Anywhere<sup>6</sup>** - With this system, you can print from desktops as well as mobile devices that can run applications.

# Lexmark MS410 Series Monochrome Laser Printer



Standard  
 Optional

Product specifications	Lexmark MS410d	Lexmark MS410dn
<b>Printing</b>		
Display	2-line All Points Addressable (APA) monochrome LCD display	
Print Speed: Up to <sup>4</sup>	Black: 38 ppm	
Time to First Page: As fast as	Black: 6.5 seconds	
Print Resolution	Black: 1200 Image Quality, 1200 x 1200 dpi, 2400 Image Quality, 600 x 600 dpi	
Memory / Processor	Standard: 128 MB / Maximum: 128 MB / Processor: Dual Core, 800 MHz	Standard: 256 MB / Maximum: 256 MB / Processor: Dual Core, 800 MHz
Hard Disk	Not Available	
Recommended Monthly Page Volume <sup>2</sup>	750 - 7200 pages	
Maximum Monthly Duty Cycle: Up to <sup>3</sup>	80000 pages per month	
<b>Supplies<sup>5</sup></b>		
Laser Cartridge Yields	1,500 <sup>1</sup> -page Cartridge, 5,000 <sup>1</sup> -page Black High Yield Cartridge, 10,000 <sup>1</sup> -page Extra High Yield Cartridge	
Imaging Unit Estimated Yield: Up to	60000 pages, based on 3 average letter/A4-size pages per print job and ~ 5% coverage	
Cartridge(s) Shipping with Product	2,500 <sup>1</sup> -page Starter Return Program Toner Cartridge	
<b>Paper Handling</b>		
Included Paper Handling	250-Sheet Input, 50-Sheet Multipurpose Feeder, 150-Sheet Output Bin, Integrated Duplex	
Optional Paper Handling	250-Sheet Tray, 550-Sheet Tray	
Paper Input Capacity: Up to	Standard: 300 pages 75 gsm bond / Maximum: 850 pages 75 gsm bond	
Paper Output Capacity: Up to	Standard: 150 pages 75 gsm bond / Maximum: 150 pages 75 gsm bond	
Media Types Supported	Card Stock, Envelopes, Paper Labels, Plain Paper, Transparencies, Refer to the Card Stock & Label Guide	
Media Sizes Supported	10 Envelope, 7 3/4 Envelope, 9 Envelope, A4, A5, DL Envelope, Executive, Folio, JIS-B5, Legal, Letter, Statement, Universal, Oficio, A6	
<b>General</b>		
Connectivity (standard)	USB 2.0 Specification Hi-Speed Certified (Type B)	USB 2.0 Specification Hi-Speed Certified (Type B), Gigabit Ethernet (10/100/1000)
Optional Network Ports / Optional Local Ports		MarkNet N8352 802.11b/g/n Wireless
Noise Level, Operating	Print: 54 dBA	
Product Guarantee	1-Year Return-to-Base Service	
Size (mm. - H x W x D) / Weight (kg)	263 x 399 x 382 mm / 14.1 kg	

<sup>1</sup> Average standard page yield value declared in accordance with ISO/IEC 19752. <sup>2</sup> "Recommended Monthly Page Volume" is a range of pages that helps customers evaluate Lexmark's product offerings based on the average number of pages customers plan to print on the device each month. Lexmark recommends that the number of pages per month be within the stated range for optimum device performance, based on factors including: supplies replacement intervals, paper loading intervals, speed, and typical customer usage. <sup>3</sup> "Maximum Monthly Duty Cycle" is defined as the maximum number of pages a device could deliver in a month using a multishift operation. This metric provides a comparison of robustness in relation to other Lexmark printers and MFPs. <sup>4</sup> Print and copy speeds measured in accordance with ISO/IEC 24734, excludes first set of test documents. For more information see: [www.lexmark.com/ISOspeeds](http://www.lexmark.com/ISOspeeds). <sup>5</sup> Product functions only with replacement cartridges designed for use in a specific geographical region. See [www.lexmark.com/regions](http://www.lexmark.com/regions) for more details. <sup>6</sup> For more information on Lexmark Mobile Solutions see: [http://www1.lexmark.com/en\\_US/solutions/business-solutions/mobile-print/index.shtml](http://www1.lexmark.com/en_US/solutions/business-solutions/mobile-print/index.shtml)

